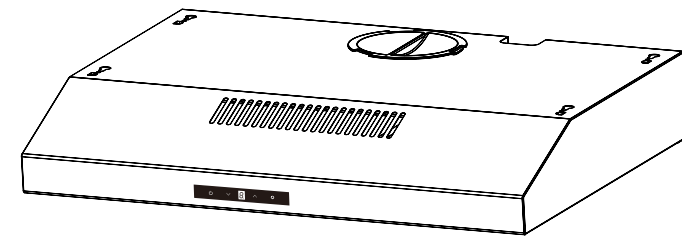


SUNTECK

INSTRUCTION MANUAL



**PLEASE READ INSTRUCTIONS CAREFULLY BEFORE ASSEMBLY
RETAIN THIS MANUAL FOR FUTURE REFERENCE**

CONTENT

Introduction	2
Safety Precaution	2
Parts Diagram.....	3
Installation Instructions	4-5
Air Outlet Installation Method.....	5
Installation.....	6-7
Operation	8
Maintenance	8-9
Trouble-Shooting	10
Environmental Protection	10

Introduction

Thank you for choosing this cooker hood.

- This instruction manual is designed to provide you with all required instructions related to the installation, use and maintenance of the appliance.
- In order to operate the unit correctly and safely, please read this instruction manual carefully before installation and usage.

Safety Precaution

- Never let the children operate the machine.
- The cooker hood is for home use only, not suitable for barbecue, roast shop and other commercial purpose.
- Clean the cooker hood according to the instruction manual and keep the unit from danger of burning. There is a fire risk if cleaning is not carried out in accordance with the instructions.
- Please keep the kitchen room with good ventilation before connecting this appliance; please check that the power supply cord is undamaged. A damaged supply cord must be replaced by qualified service personnel only.
- Regulations concerning the discharge of air have to be fulfilled.
- This appliance can be used by children aged from 8 years and above also the persons with reduced physical, sensory or mental capabilities or lack of experience and knowledge if they have been given supervision or instruction concerning use of the appliance in a safe way and understand the hazards involved. Children shall not play with the appliance. Cleaning and user maintenance shall not be made by children without supervision.
- If the supply cord is damaged, it must be replaced by the manufacturer, its service agent or similarly qualified persons in order to avoid a hazard.

CAUTION:

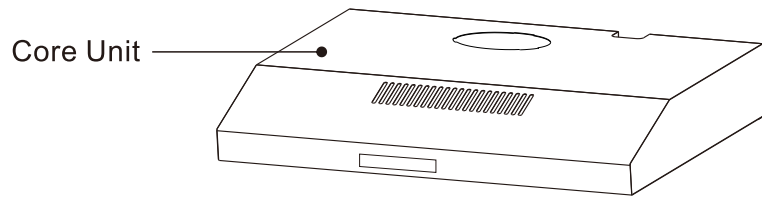
Accessible parts may become hot when used with cooking appliance.

Electrical Shock Hazard

Only plug this unit into a properly earthed outlet.

If you have doubts, seek advice from a suitably qualified engineer.

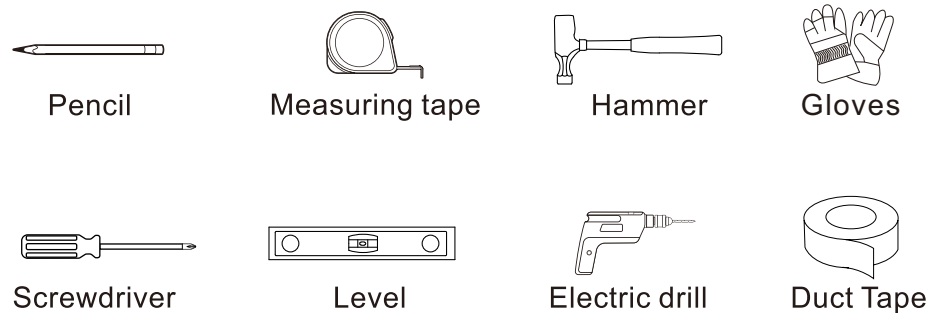
Parts Diagram



Parts Supplied

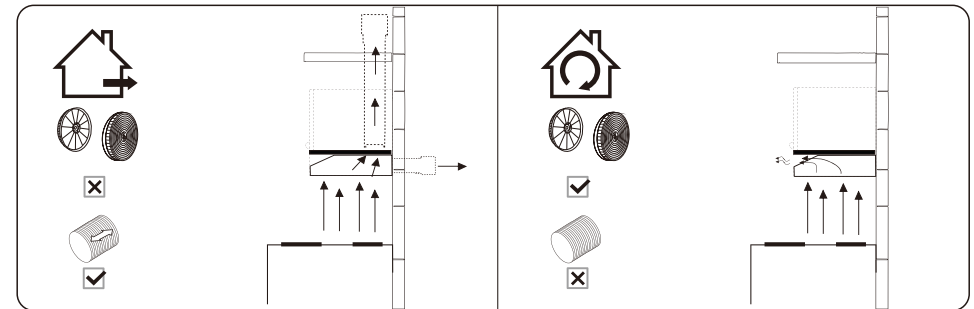


Tools Required



Installation Instructions

Preparation for installation:



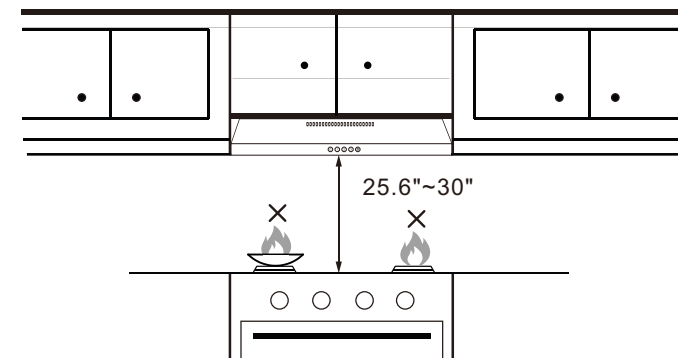
DUCTED OPTION

RECIRCULATION OPTION

a. If you have an outlet to the outside, your cooker hood can be connected as above picture by means of a pipe.
If you don't have an outlet to the outside, you can go with recirculation mode by using charcoal filters.

Remark: The pipe and charcoal filters are not provided, please buy individually.

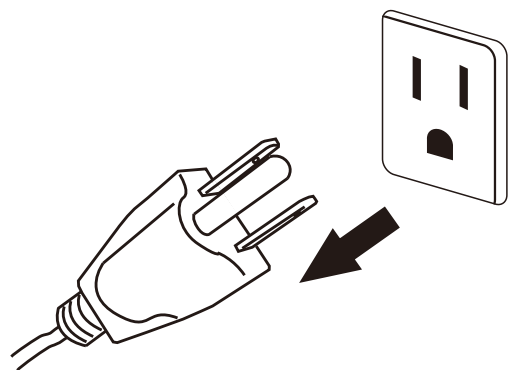
Installation Requirements



The cooker hood should be placed at a distance of 25.6"~30" above the cooktop for the best effect.

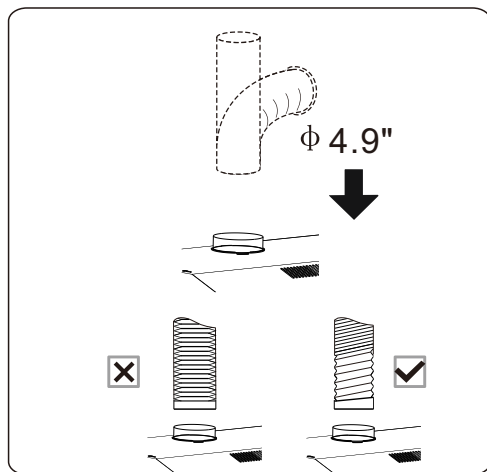


No open flames directly approach to the range hood.



Before installation, turn the unit off and unplug it from the outlet.

Air Outlet Installation Method



Installation method for 4.9" diameter pipe: insert the one-way valve as the pic and fix the pipe.

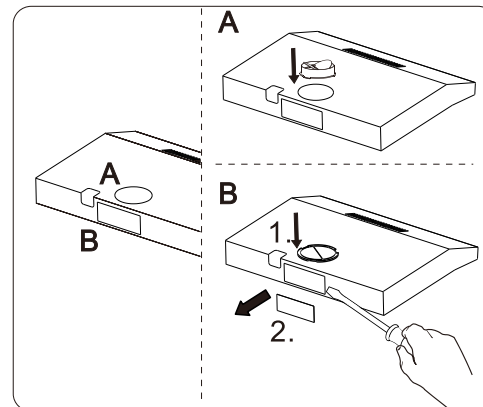
Attention: The bump of the one-way-valve must be upward.

The pipe near the air outlet need to be fully extended.

Remark: The pipe is not provided, please buy it individually.

Installation

Two methods of ventilation (A&B)



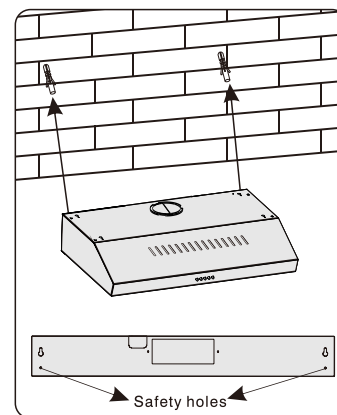
Vertical ventilation:

Method A: Connect the 4.9" air outlet to the top vent of slim hood.

Method B: Cover the top vent of slim hood with outlet cover provided and remove the back square metal plate with tool.

Remark: The size of square outlet is 6.02*2.4". Square outlet is not supplied.

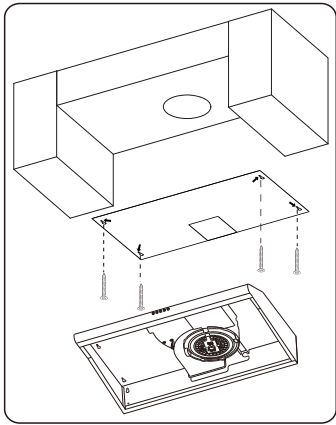
Two Method for installation(A&B)



Method A (Wall mounted):

1. According to the center distance of hole in the back of the slim hood, measure the position and then drill 2 holes on the wall. Insert the plastic wall anchors into each holes and tighten 2pcs ST4×30 screws into the plastic wall anchors.

2. Place the slim hood onto the tighten screws. Fix the cooker hood with 2pcs ST4X30 screws into the safety holes. The two safety screws vents are positioned on the back casing.

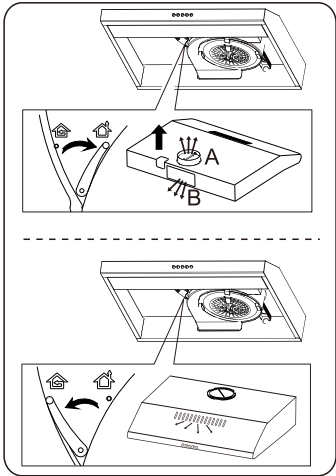


Method B (Cabinet only):

1. Stick the installation paper on the bottom of cabinet.
2. Drill 4 holes according to the paper showed. (If you need top vent, cut a square hole according to the paper showed.)
3. Remove the installation diagram after drilling the holes.
4. Insert the plastic wall anchors into each holes and tighten ST4×30 screws into the plastic wall anchors.



Note
1. Take off protection film before installation.
2. There are 2 methods for ventilation, including horizontal ventilation and vertical ventilation. Please pay attention to the ventilation method when installation.



Air ventilation setting

Ventilation:

Turn the adjuster to outdoor position, install the outlet, turn on the cooker hood, then the air will be vented from the outside outlet.

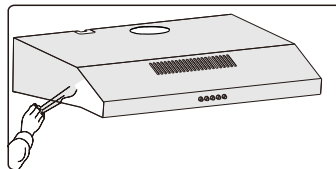
Recirculation:

The recycling mode with carbon filter, Turn the adjuster to indoor position, install the outlet cover, turn on the cooker hood, then the air can be vented from the inside outlet.

Remark: The charcoal filter is not provided, please buy it individually if need.

WARNING: The charcoal filter cannot be washed or recycled. It should be changed at most after 120 hours using. The charcoal filter shouldn't be exposed to heat.

Remark: Means Recirculation
 Means Ventilation



CAUTION:
BEFORE USE
Please remove the white/blue protective film on the range hood.

Operation



- ON/OFF Key**
Press this button to control the hood ON/OFF. (Light is not effected)
During shutdown mode, press this button, the hood will run at low speed.
- Delay Timer Function**
During machine is on, press light button one second to access into delay time. Default is 5 minutes. The display blinking and after 5 minutes the motor off. Press this button again to off the delay timer function.
- Light Key**
Press this key to control the light ON/OFF.
- Power Down Key**
Press this key to decrease the speed.
- Power Up Key**
Press this key to increase the speed.

Maintenance

Before cleaning turn the unit off and pull out the plug.

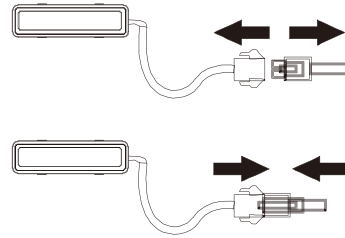
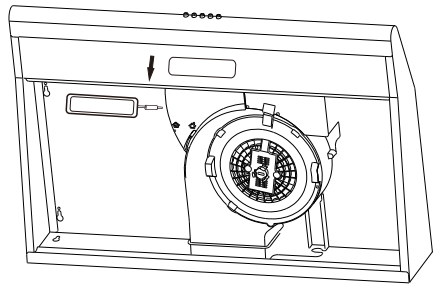
I. Regular Cleaning

Use a soft cloth moistened with hand-warm mildly soapy water or household cleaning detergent. Never use metal pads, chemical, abrasive material or stiff brush to clean the unit.

II. LED Light Replacement

1. Switch the unit off and unplug the appliance.
2. Replace with the same type and rated LED lamp

CAUTION: LAMP UNIT MAY BE HOT!
WAIT UNTIL THE UNIT IS COOL. BEFORE attempting to replace the LED lamps make sure the unit is powered off and UNPLUGGED.

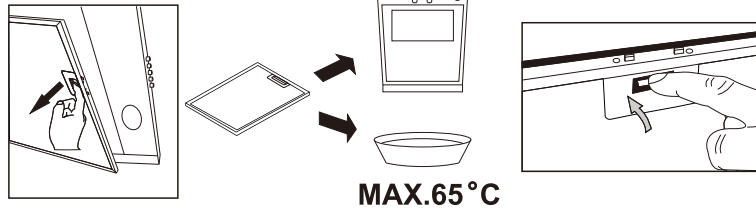


III. Filter replacement

Clean the filters once a month by hand or in a dishwasher (30 °C). Do not use any acid or corrosive detergents. Do not use any abrasive detergents! Do not use any alkaline dishwasher-detergents! (pH more than 7). Do not put the filter in the dishwasher together with tableware. Filters which are blocked with food debris do not carry a guarantee. Dry the filters properly before you reinstall them.



1 MONTHS



Trouble-Shooting

Fault	Cause	Solution
Light on, but fan does not work	The fan blade is jammed.	Switch off the unit and repair by qualified service personnel only.
	The motor is damaged.	
Both light and fan do not work	Light is burnt out.	Replace the LED light with correct rating.
	Power cord is loose.	Plug into the power supply again.
Serious Vibration of the unit	The fan blade is damaged.	Switch off the unit and repair by qualified service personnel only.
	The fan motor is not fixed tightly.	
	The unit is not hung properly on the bracket.	Take down the unit and check whether the bracket is in proper location.
Suction performance not good	Too far distance between the unit and the cooktop.	Readjust the distance between 25.6"-30".

Environmental Protection

1. While unpacking, the packaging materials (polythene bags, polystyrene pieces, etc.) should be kept away from children. **CHOKING HAZARD!**
2. Old and unused appliances must be sent for disposal to the responsible recycling centre. Never expose to open flames.
3. Before you dispose of an old appliance, render it inoperative. Unplug the appliance and cut off the entire power cord. Dispose of the power cord and the plug immediately.
4. Dispose of any paper and cardboard into the corresponding containers.
5. Dispose of any plastics into the corresponding containers.
6. If suitable containers are not available at your residential area, dispose of these materials at a suitable municipal collection point for waste-recycling.
7. Receive more detailed information from your retailer or your municipal facilities.



Materials marked with this symbol are recyclable. Please contact your local authorities to receive further information.