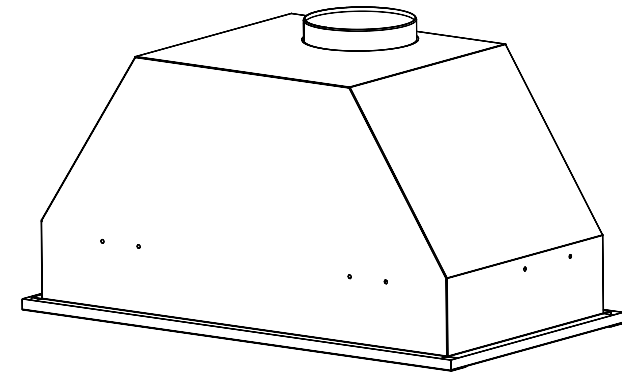


SUNTECK

INSTRUCTION MANUAL



**PLEASE READ INSTRUCTIONS CAREFULLY BEFORE ASSEMBLY
RETAIN THIS MANUAL FOR FUTURE REFERENCE**

CONTENT

Introduction	2
Safety Precaution	2
Parts Diagram.....	3
Installation Instructions	3-4
Air Outlet Installation Method.....	5
Installation.....	5-8
Operation	8-9
Maintenance	10
Trouble-Shooting	11
Environmental Protection	11

Introduction

Thank you for choosing this cooker hood.

- This instruction manual is designed to provide you with all required instructions related to the installation, use and maintenance of the appliance.
- In order to operate the unit correctly and safely, please read this instruction manual carefully before installation and usage.

Safety Precaution

- Never let the children operate the machine.
- The cooker hood is for home use only, not suitable for barbecue, roast shop and other commercial purpose.
- Clean the cooker hood according to the instruction manual and keep the unit from danger of burning. There is a fire risk if cleaning is not carried out in accordance with the instructions.
- Please keep the kitchen room with good ventilation before connecting this appliance; please check that the power supply cord is undamaged. A damaged supply cord must be replaced by qualified service personnel only.
- Regulations concerning the discharge of air have to be fulfilled.
- This appliance can be used by children aged from 8 years and above also the persons with reduced physical, sensory or mental capabilities or lack of experience and knowledge if they have been given supervision or instruction concerning use of the appliance in a safe way and understand the hazards involved. Children shall not play with the appliance. Cleaning and user maintenance shall not be made by children without supervision.
- If the supply cord is damaged, it must be replaced by the manufacturer, its service agent or similarly qualified persons in order to avoid a hazard.

CAUTION:

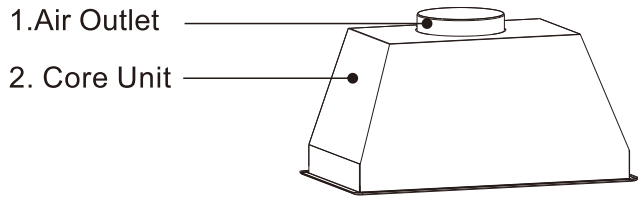
Accessible parts may become hot when used with cooking appliance.

Electrical Shock Hazard

Only plug this unit into a properly earthed outlet.

If you have doubts, seek advice from a suitably qualified engineer.

Parts Diagram



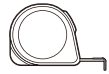
Parts Supplied



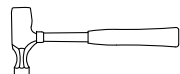
Tools Required



Pencil



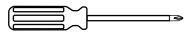
Measuring tape



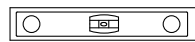
Hammer



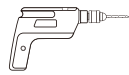
Gloves



Screwdriver



Level



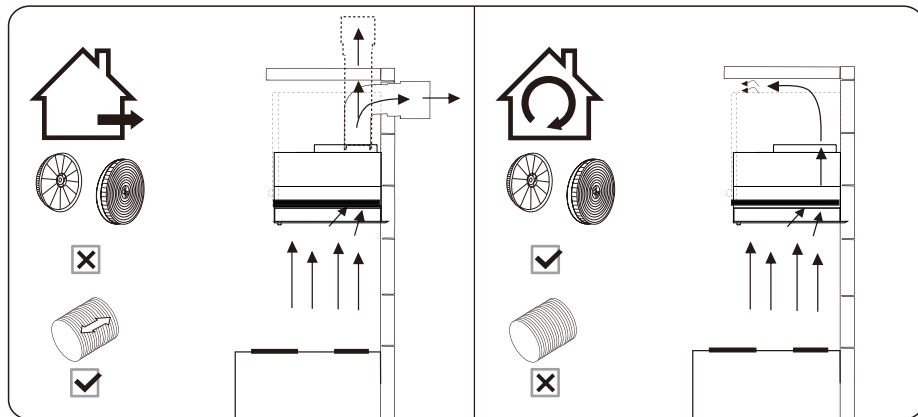
Electric drill



Duct Tape

Installation Instructions

Preparation for installation:



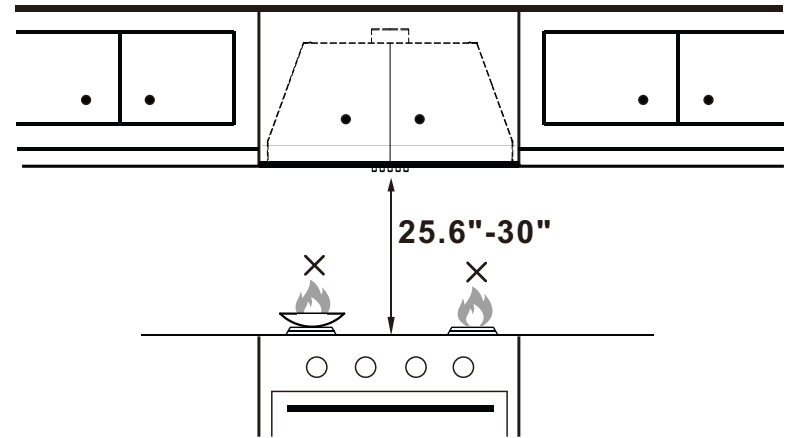
DUCTED OPTION

RECIRCULATION OPTION

a. If you have an outlet to the outside, your cooker hood can be connected as above picture by means of a pipe (with an interior diameter of 150mm). If you don't have an outlet to the outside, you can go with recirculation mode by using charcoal filters.

Remark: The pipe and charcoal filters are not provided, please buy individually.

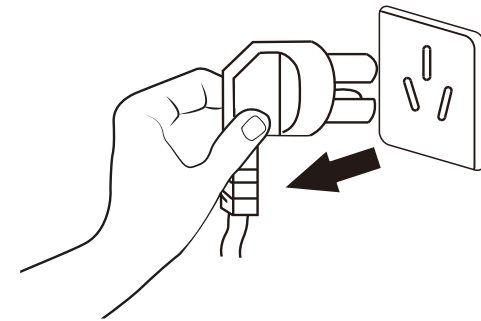
Installation Requirements



The cooker hood should be placed at a distance of 25.6"-30" above the cooktop for the best effect.

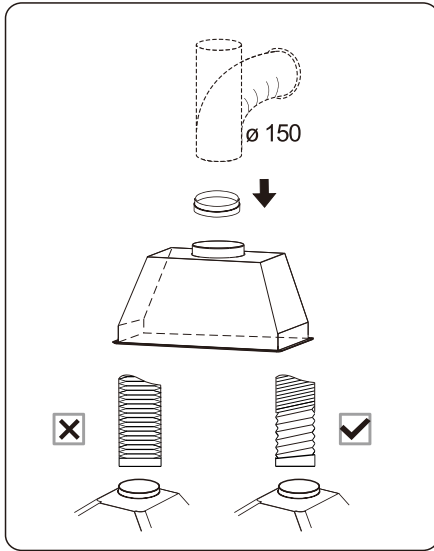


No open flames directly approach to the range hood.



Before installation, turn the unit off and unplug it from the outlet.

Air Outlet Installation Method



Installation method for 150mm diameter pipe: insert the one-way-valve as the pic and fix the pipe.

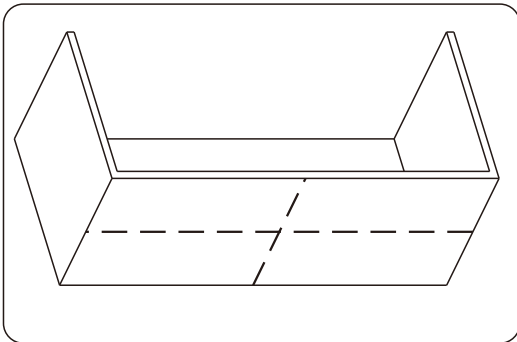
Attention: The bump of the one-way-valve must be upward.

Remark: The pipe is not provided, please buy it individually.

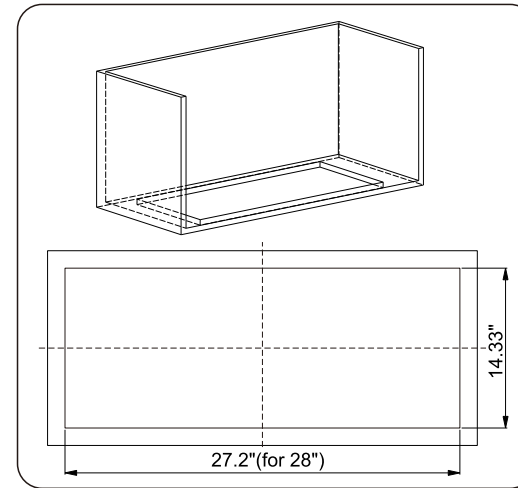
Installation

Note Please connect the power supply to test and confirm that the power is on before installing this Built-in or Insert range hood.

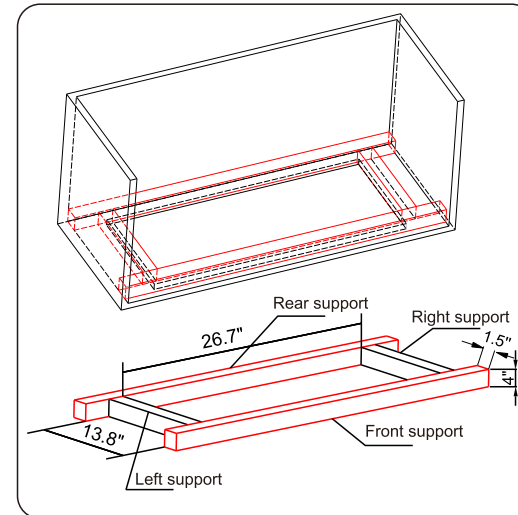
Refer to the installation instructions:



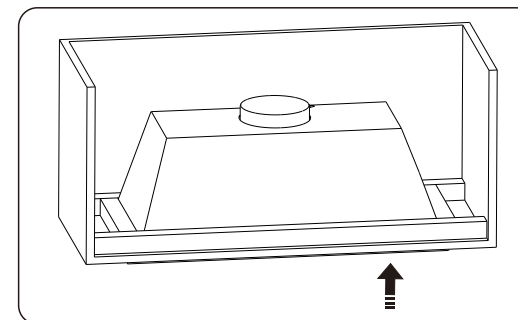
Determine and mark the horizontal line and perpendicular line on the base of the cabinet.



Cut out the opening where the insert will be installed.

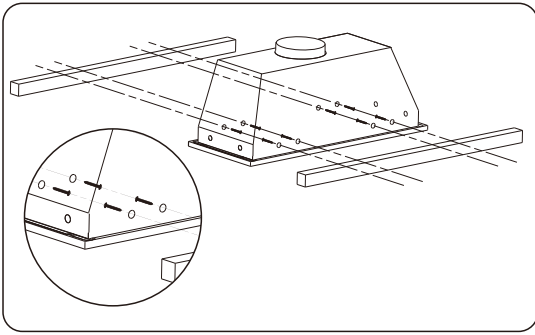


The hood has to be installed inside the cabinet. It should be installed a front and rear stud support. It would be better if there is space enough for installed the left and right support.

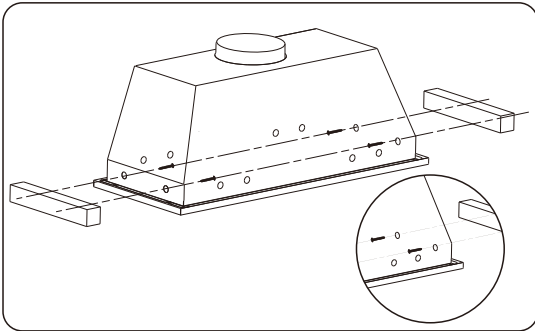


Determine and make all necessary cuts in the wall or ceiling for the ductwork.

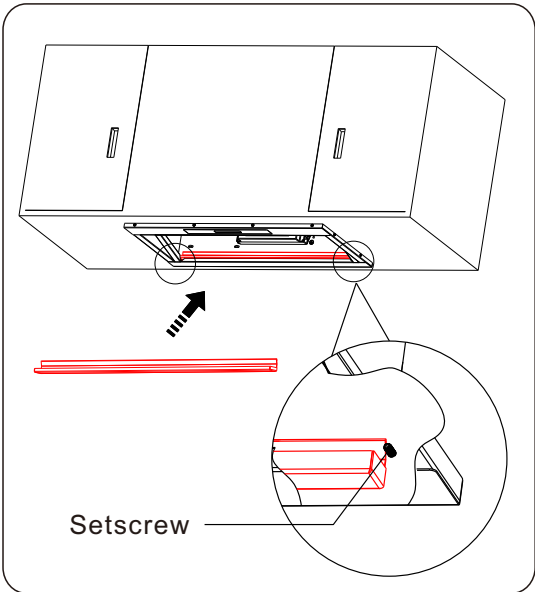
Note Install the duct work before installing the insert.



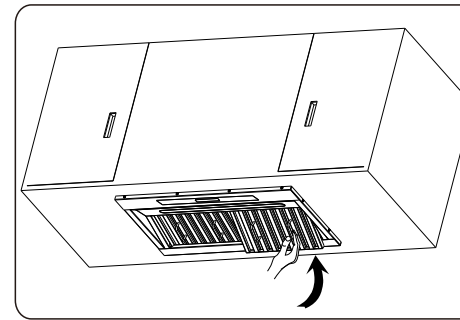
In front and rear side have 8 holes, secure the range hood using the 4X30 screws (8 pcs) .



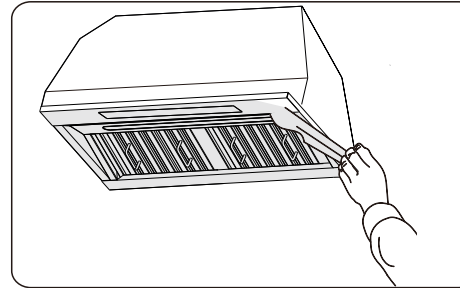
In left and right side have 4 holes, secure the range hood using the 4X30 screws (4 pcs) .



After the main unit installed, we need to install the internal oil cup as per pic shows. (PS: There are 2 setscrews on both side)



Install the both baffle filters. Installation finished.



⚠ CAUTION:
BEFORE USE
Please remove the white/blue protective film on the range hood.

Operation



Electrify function

After connect to the power, the indicator will be power-on and off after 1 second. Display show up white color and 12:00 then enter to the shutdown mode.


Switch function

During shutdown mode, press access into standby mode, 1 min without operation, the hood will back to shutdown mode.


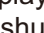
During standby mode, press access into shutdown mode.

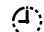
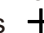

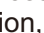


When the motor is running, press access into 1 min countdown, during the countdown, switch speed or on/off the light are available. Countdown ends, the hood goes back to shutdown mode. (During countdown, press again, the hood stops running and off the light; press , the hood exit countdown.)

Lighting function


Press  control the light ON/OFF.

Time function

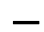

① Delay shutdown: When the motor is running, press , the display shows "3:00" and flash. Default time is 3 minutes. Press  to adjust the shutdown time (1-60 minutes, long press can adjust continuously). 10 seconds without operation, the hood will access into time delay shutdown mode. Countdown ends, the hood goes back to shutdown mode.

② Clock setting: During the shutdown or standby mode, long press  for 1 second,  and  flash, press  to adjust hour (12-hour system) and press  to adjust minute, long press can adjust continuously. Press  again or 10 seconds without operation, the data will be saved.

Motor function

① When the hood is standby or running, press , the hood will run at high speed at default, press again, will back to standby mode.

② During the standby mode, press , the motor will run at high speed at default; when the hood is running, press  to increase the speed.

③ During the standby mode, press , the motor will run at low speed at default; when the hood is running, press  to decrease the speed.

Gesture function

① During the shutdown mode, wave from left to right for the first time, the hood starts at low speed with lights on; wave again will increase the speed. When the motor is running at high speed, wave from left to right, the hood will back to low speed.

② When the motor is running, wave from right to left will access into 3-min delay shutdown, the hood will shutdown when countdown ends. Wave again, the hood back to shutdown mode directly.

Remark: Wave sensor distance from switch is around 11cm to 15cm.

Maintenance

Before cleaning turn the unit off and pull out the plug.

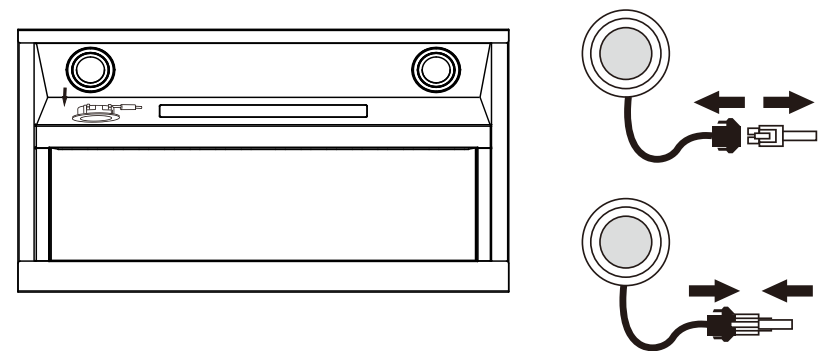
I. Regular Cleaning

Use a soft cloth moistened with hand-warm mildly soapy water or household cleaning detergent. Never use metal pads, chemical, abrasive material or stiff brush to clean the unit.

II. LED Light Replacement

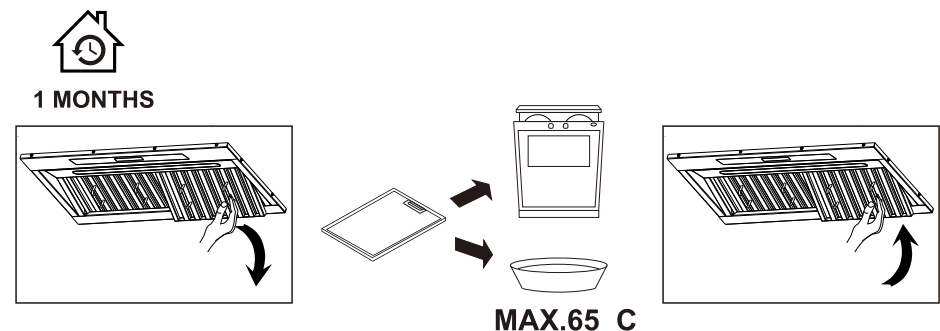
Turn the unit off and unplug the appliance.

CAUTION: LAMP UNIT MAY BE HOT!
WAIT UNTIL THE UNIT IS COOL. BEFORE attempting to replace the LED lamps make sure the unit is powered off and UNPLUGGED.



III. Filter replacement

Clean the filters once a month by hand or in a dishwasher (30 °C). Do not use any acid or corrosive detergents. Do not use any abrasive detergents! Do not use anyalkaline dishwasher-detergents! (pH more than 7). Do not put the filter in the dishwasher together with tableware. Filters which are blocked with food debris do not carry a guarantee. Dry the filters properly before you reinstall them.



Trouble-Shooting

Fault	Cause	Solution
Light on, but fan does not work	The fan blade is jammed.	Switch off the unit and repair by qualified service personnel only.
	The motor is damaged.	
Both light and fan do not work	Light is burnt out.	Replace the LED light with correct rating.
	Power cord is loose.	Plug into the power supply again.
Serious Vibration of the unit	The fan blade is damaged.	Switch off the unit and repair by qualified service personnel only.
	The fan motor is not fixed tightly.	
	The unit is not hung properly on the bracket.	Take down the unit and check whether the bracket is in proper location.
Suction performance not good	Too far distance between the unit and the cooktop.	Readjust the distance between 25.6"-30".

Environmental Protection

1. While unpacking, the packaging materials (polythene bags, polystyrene pieces, etc.) should be kept away from children. **CHOKING HAZARD!**
2. Old and unused appliances must be sent for disposal to the responsible recycling centre. Never expose to open flames.
3. Before you dispose of an old appliance, render it inoperative. Unplug the appliance and cut off the entire power cord. Dispose of the power cord and the plug immediately.
4. Dispose of any paper and cardboard into the corresponding containers.
5. Dispose of any plastics into the corresponding containers.
6. If suitable containers are not available at your residential area, dispose of these materials at a suitable municipal collection point for waste-recycling.
7. Receive more detailed information from your retailer or your municipal facilities.



Materials marked with this symbol are recyclable.
Please contact your local authorities to receive further information.