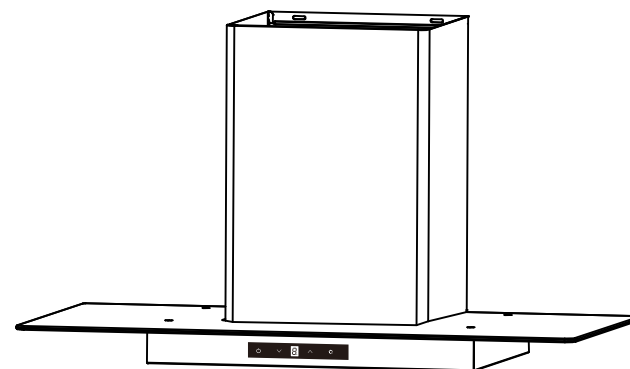
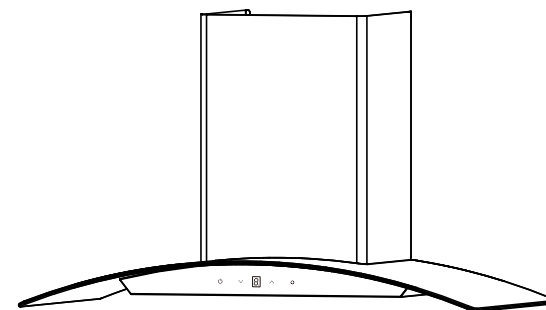


SUNTECK

INSTRUCTION MANUAL



**PLEASE READ INSTRUCTIONS CAREFULLY BEFORE ASSEMBLY
RETAIN THIS MANUAL FOR FUTURE REFERENCE**

CONTENT

Introduction	2
Safety Precaution.....	2
Parts Diagram.....	3-4
Installation Instructions	4-6
Air Outlet Installation Method.....	6
Installation	7-8
Oil Cup Installation	9
Operation	9
Maintenance	10
Trouble-Shooting.....	11
Environmental Protection.....	11

Introduction

Thank you for choosing this cooker hood.

- This instruction manual is designed to provide you with all required instructions related to the installation, use and maintenance of the appliance.
- In order to operate the unit correctly and safely, please read this instruction manual carefully before installation and usage.

Safety Precaution

- Never let the children operate the machine.
- The cooker hood is for home use only, not suitable for barbecue, roast shop and other commercial purpose.
- Clean the cooker hood according to the instruction manual and keep the unit from danger of burning. There is a fire risk if cleaning is not carried out in accordance with the instructions.
- Please keep the kitchen room with good ventilation before connecting this appliance; please check that the power supply cord is undamaged. A damaged supply cord must be replaced by qualified service personnel only.
- Regulations concerning the discharge of air have to be fulfilled.
- This appliance can be used by children aged from 8 years and above also the persons with reduced physical, sensory or mental capabilities or lack of experience and knowledge if they have been given supervision or instruction concerning use of the appliance in a safe way and understand the hazards involved. Children shall not play with the appliance. Cleaning and user maintenance shall not be made by children without supervision.
- If the supply cord is damaged, it must be replaced by the manufacturer, its service agent or similarly qualified persons in order to avoid a hazard.

CAUTION:

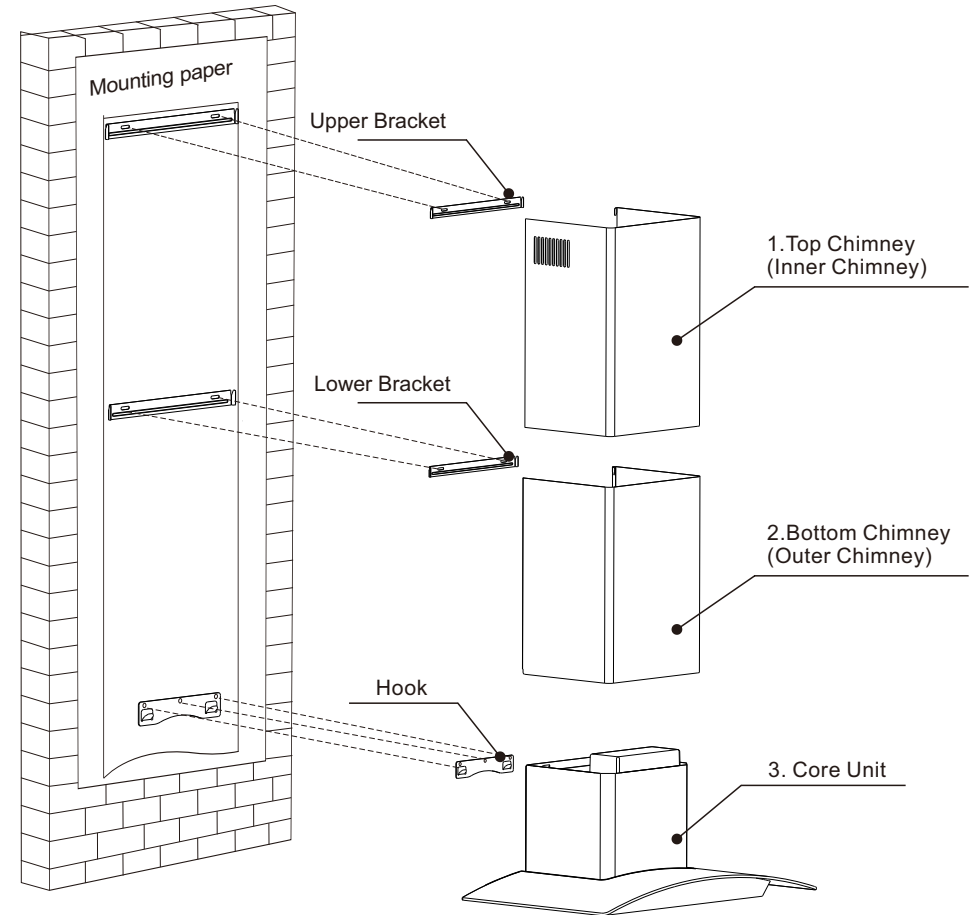
Accessible parts may become hot when used with cooking appliance.

Electrical Shock Hazard

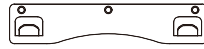
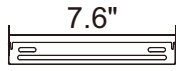
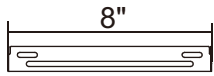
Only plug this unit into a properly earthed outlet.

If you have doubts, seek advice from a suitably qualified engineer.

Parts Diagram



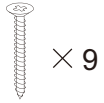
Parts Supplied



Upper Chimney Bracket

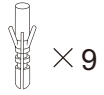
Lower Chimney Bracket

Range Hood Hook



× 9

St4x30



× 9

φ5 × φ8



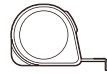
× 2

St3x10

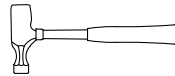
Tools Required



Pencil



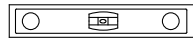
Measuring tape



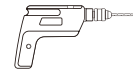
Hammer



Screwdriver



Level



Electric drill



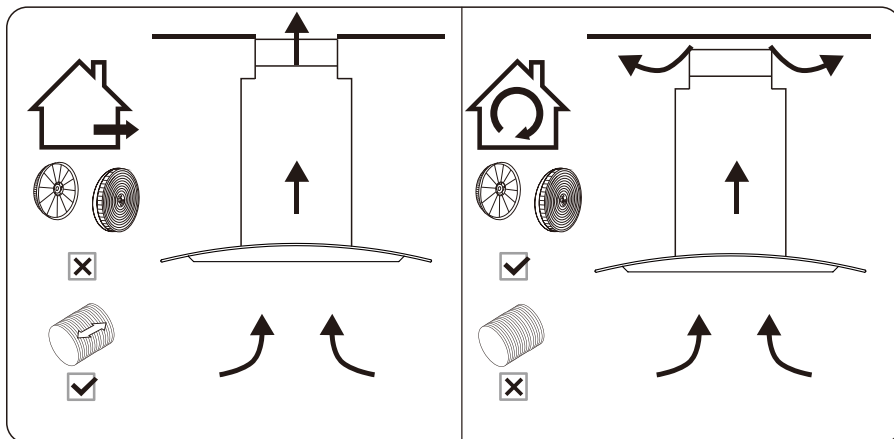
Duct Tape



Gloves

Installation Instructions

Preparation for installation:



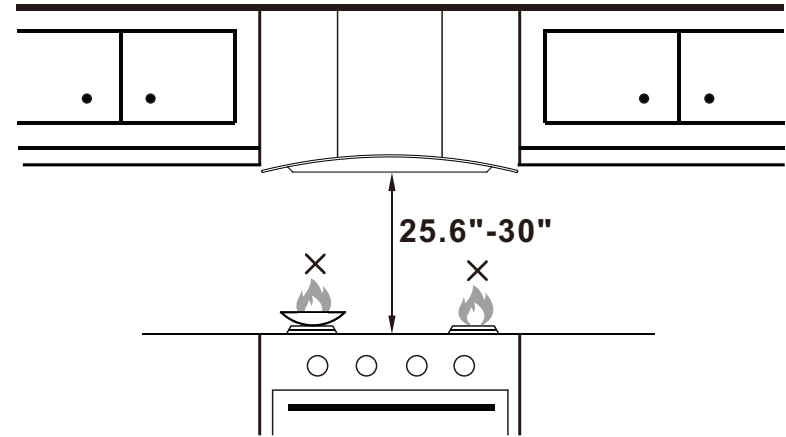
DUCTED OPTION

RECIRCULATION OPTION

a. If you have an outlet to the outside, your cooker hood can be connected as above picture by means of a pipe (with an interior diameter of 150mm). If you don't have an outlet to the outside, you can go with recirculation mode by using charcoal filters.

Remark: The pipe and charcoal filters are not provided, please buy individually.

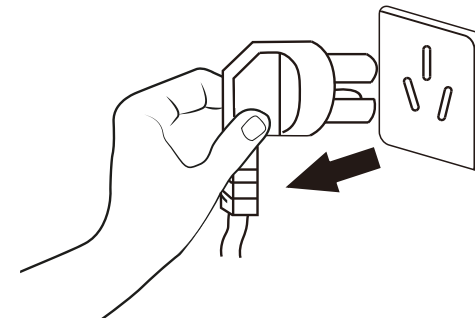
Installation Requirements



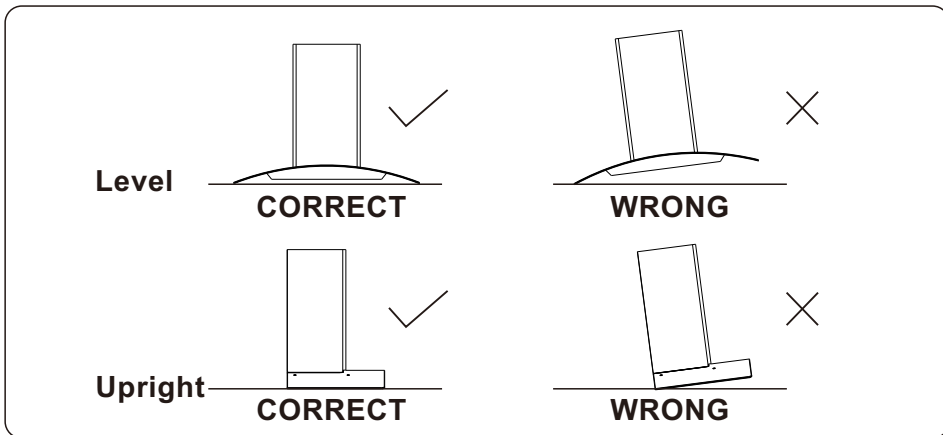
The cooker hood should be placed at a distance of 25.6"-30" above the cooktop for the best effect.



Note No open flames directly approach to the range hood.

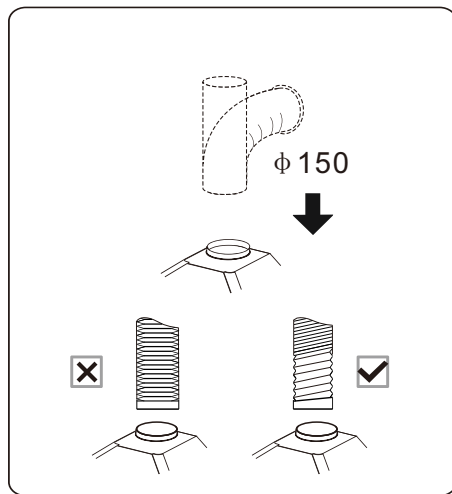


Before installation, turn the unit off and unplug it from the outlet.



After hanging the unit on the wall, ensure the range hood is straight and horizontal.

Air Outlet Installation Method



Installation method for 150mm diameter pipe: insert the one-way valve as the pic and fix the duct.

Attention: The bump of the one-way valve must be upward.

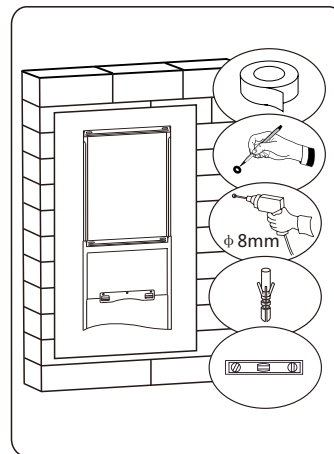
The pipe near the air outlet need to be fully extended.

Remark: The pipe is not provided, please buy it individually.

Installation

Note Please connect the power supply to test and confirm that the power is on before installing this wall mount range hood.

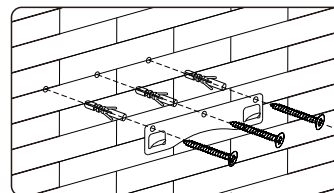
Refer to the installation instructions:



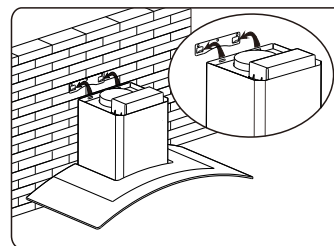
Prepare pencil, electric drill, plastic wall anchors and level before installation.
Recommended installation height: 27.6"
Required minimum installation height: 25.6"

1. Stick the installation template on the wall.
2. Drill the holes which showing on the template.

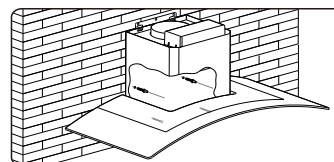
CAUTION:
Peel off the paper after drilling the holes.
The chimney covers height can be adjusted from 500mm to 750mm.



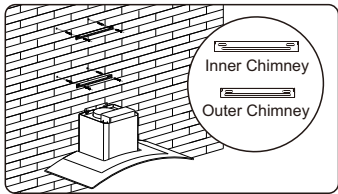
Drill 3 x 8mm holes to accommodate the bracket. Screw and tighten the hook onto the wall with the screws & plastic wall anchors provided.



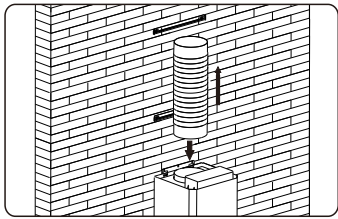
Lift the cooker hood and hang onto the wall hook.



Need to drill 2x8mm extra holes & fixing screws & plastic wall anchors before installation.

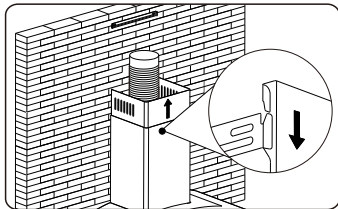


Mark the position and drill 2 holes for each chimney bracket and tighten the bracket with screws.

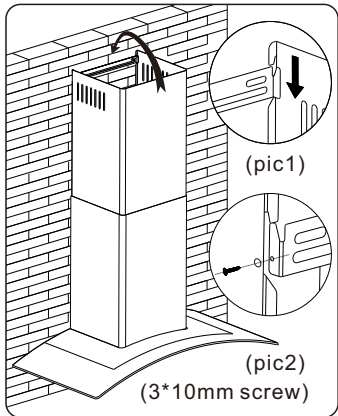


Fix the one-way-valve to the air outlet of the cooker hood, and then attached the pipe onto the air outlet as picture.

Note The longer bracket is upper chimney bracket



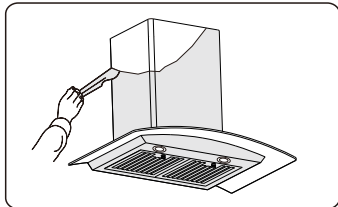
Put the upper chimney into lower chimney. Then pulling out the upper chimney upwards. Adjust to reach the height required.



There are 2 methods for installing the chimney cover. Please check the below pic for reference.

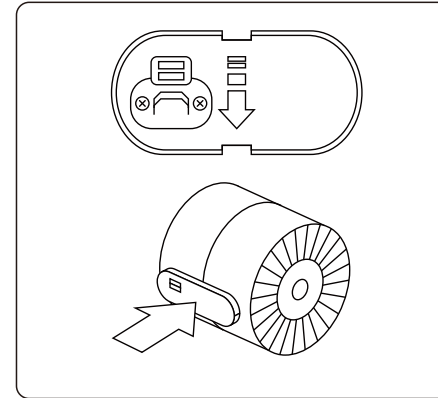
1. After drilling the 2 holes and fixing the bracket, hang the chimney cover by matching the both side lock. (Pic1)

2. After drilling the 2 holes and fixing the bracket, install the chimney cover by locking with 2 screws in both side holes. (Pic2)



CAUTION:
BEFORE USE
 Please remove the white/blue protective film on the rangehood, chimney covers.

Oil Cup Installation









When attaching the oil tray to the motor, simply slide it into place on the motor.

Remark: Some models are without oil cup, please refer to the actual.

Operation



-  **ON/OFF Key**
 Press this button to control the hood ON/OFF. (Light is not effected)
 During shutdown mode, press this button, the hood will run at low speed.
-  **Delay Timer Function**
 During machine is on, press light button  one second to access into delay time. Default is 5 minutes. The display blinking and after 5 minutes the motor off. Press this button again to off the delay timer function.
-  **Light Key**
 Press this key to control the light ON/OFF.
-  **Power Down Key**
 Press this key to decrease the speed.
-  **Power Up Key**
 Press this key to increase the speed.

Maintenance

Before cleaning switch the unit off and pull out the plug.

I. Regular Cleaning

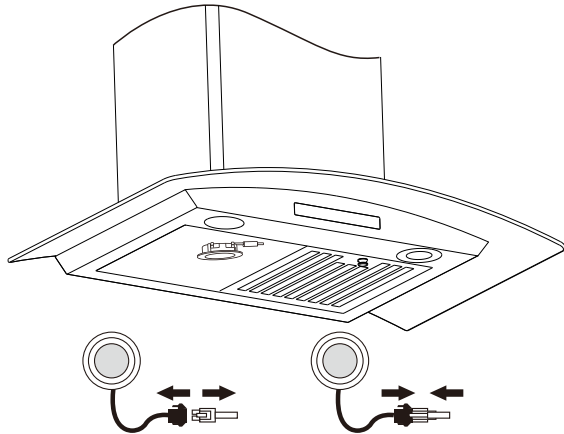
Use a soft cloth moistened with hand-warm mildly soapy water or household cleaning detergent. Never use metal pads, chemical, abrasive material or stiff brush to clean the unit.

II. LED Light Replacement

Switch the unit off and unplug the appliance.

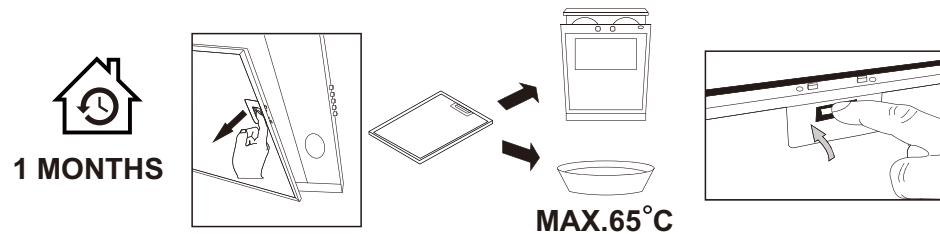
CAUTION: LAMP UNIT MAY BE HOT!

WAIT UNTIL THE UNIT IS COOL. BEFORE attempting to replace the LED lamps make sure the unit is powered off and UNPLUGGED.



III. Filter replacement

In order to install the carbon filter, the grease filter should be detached first. Press the lock and pull it downward.



Filters: To avoid fires, clean thoroughly once a month or whenever the display pilot lights up (if fitted). To do so, remove the filters and soak in hot water and detergent for an hour. If using a dishwasher, position the filters vertically to improve the cleaning process.

Trouble-Shooting

Fault	Cause	Solution
Light on, but fan does not work	The fan blade is jammed.	Switch off the unit and repair by qualified service personnel only.
	The motor is damaged.	
Both light and fan do not work	Light is burnt out.	Replace the LED light with correct rating.
	Power cord is loose.	Plug into the power supply again.
Serious Vibration of the unit	The fan blade is damaged.	Switch off the unit and repair by qualified service personnel only.
	The fan motor is not fixed tightly.	
	The unit is not hung properly on the bracket.	Take down the unit and check whether the bracket is in proper location.
Suction performance not good	Too far distance between the unit and the cooktop.	Readjust the distance between 25.6"-30".

Environmental Protection

1. While unpacking, the packaging materials (polythene bags, polystyrene pieces, etc.) should be kept away from children. **CHOKING HAZARD!**
2. Old and unused appliances must be sent for disposal to the responsible recycling centre. Never expose to open flames.
3. Before you dispose of an old appliance, render it inoperative. Unplug the appliance and cut off the entire power cord. Dispose of the power cord and the plug immediately.
4. Dispose of any paper and cardboard into the corresponding containers.
5. Dispose of any plastics into the corresponding containers.
6. If suitable containers are not available at your residential area, dispose of these materials at a suitable municipal collection point for waste-recycling.
7. Receive more detailed information from your retailer or your municipal facilities.



Materials marked with this symbol are recyclable. Please contact your local authorities to receive further information.

