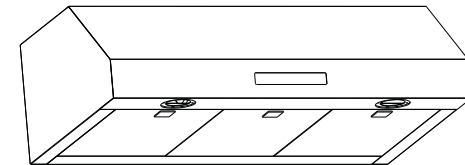


WALL MOUNT

Installation Instructions

SUNTECK



W0711(HURRICAN)



IMPORTANT: READ AND SAVE THESE INSTRUCTIONS.
FOR RESIDENTIAL USE ONLY.
Disclaimer: Item purchased may be slightly different from the manual.

A

WARNINGS

The warnings in this manual have been provided for your safety and the safety of others. Be sure to read the entirety of this booklet carefully prior to installing and operating this appliance.

- Please keep this instruction manual for your future reference. If the appliance is sold or consigned to another party, ensure that this booklet is passed to the new owner.
- Prior to installation, confirm that the appliance has sufficient suction power for your stove and specific application. Failure to comply may compromise the safety of the item and cause injury and/or damage. We are not liable for any injuries or damage caused by misuse of the item.
- This appliance is not intended for use by young children.
- This appliance must be installed by qualified personnel, in compliance with all building codes.
- Prior to performing any cleaning or maintenance operations, be sure to first disconnect the appliance from the power supply.
- If the power cord is damaged, it must be replaced by the manufacturer or a qualified electrician in order to avoid any hazards. Any modifications to the electrical system that may be required for the installation or repair of the range hood must only be made by qualified electricians.
- It is dangerous to modify or attempt to modify the components of this appliance. In the event of any malfunctions, do not attempt to resolve the issue on your own. Contact our customer service for assistance.
- Repairs performed by unqualified persons may cause damage. For all repair and other work on the appliance, please contact a qualified professional.
- Always check that all the electrical parts (lights, motor) are off when the appliance is not being used.
- This range hood must only be used to exhaust cooking fumes in a residential application. We disclaims all liability for any other use of this appliance.
- The maximum weight of any object placed on or above the hood must not exceed 3 lbs.
- After installing the stainless steel hood, clean the appliance to remove any residue. Be sure to use a cleaning method compliant with the instructions in this booklet. We accept no liability in case of damage caused by the use of cleaning methods not recommended in this booklet.
- Ducted fans must always be vented to the outdoors. To reduce the risk of fire and to properly exhaust air, do not vent exhaust air into spaces within walls or ceilings, or into attics, crawl spaces, or garages.

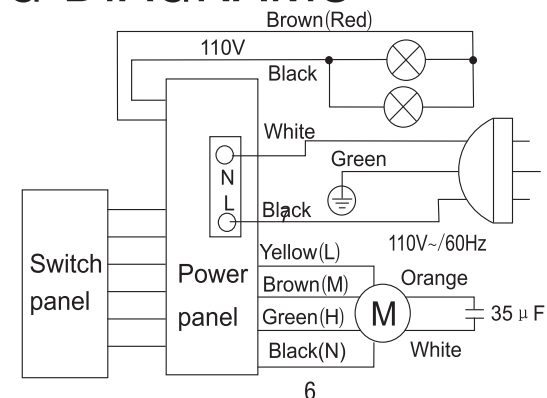
E

SAFETY WARNINGS

- For safety, the appliance must be disconnected during installation. Before installation, confirm that the voltage corresponds to the values on the rating plate located inside the range hood.
- The recommended distance between the cooktop and the range hood is 26 to 28 inches. For safety, the range hood must be mounted no closer to the cooktop than 26 inches.
- Never flambé or cook with open flames under the range hood.
- This appliance is not for use with deep fryers.
- Ensure that the room is adequately ventilated when the range hood is in use at the same time as appliances burning gas or other fuels.
- The exhaust air must not be discharged into a duct that is used to exhaust fumes from appliances burning gas or other fuels.
- Ensure that all regulations concerning the discharge of exhaust air have been met and fulfilled before you use the appliance.
- During installation, handle the stainless steel chimney pieces with care, as the edges are sharp and can cause injury.
- On applicable models, ensure that the tempered glass canopy is completely free of damages prior to installation. Also, ensure that the screws used to install the glass are not secured too tightly. The screws should be snug, but no tighter than that. Failure to comply may cause the glass to shatter.
- Prior to performing any cleaning or maintenance operations, disconnect the appliance by unplugging the power cord. We disclaim all liability for any damage that may be directly or indirectly caused to people, items, and animals resulting from a failure to follow the instructions provided in this booklet and all the warnings above relating to the installation, operation, and maintenance of the appliance.

F

WIRING DIAGRAMS



D

MAINTENANCE AND CLEANING

Constant maintenance ensures the correct operation and efficiency of the appliance over time. Special attention should be paid to the grease-trapping filters and the charcoal filters. Frequent cleaning of the filters will ensure that fats and grease do not accumulate on the cooker hood, with the consequent risk of fire.

1. METAL GREASE-TRAPPING FILTERS

These trap the fat and grease particles suspended in the air, and therefore should be washed every month in hot water and detergent. DO NOT BEND. Wait until they are completely dry before repositioning them. The metal filters can be cleaned in a dishwasher.

2. CHARCOAL FILTERS

These trap odors present in the stream of air that passes through them. The air is purified by passing a number of times through the filters and then recirculated into the kitchen. The charcoal filters cannot be cleaned, and should be replaced on average 3-4 months (according to use).

3. CLEANING THE OUTSIDE OF THE APPLIANCE

The outside of the cooker hood should be cleaned using a damp cloth and neutral liquid detergent or denatured alcohol. Do not use products that contain abrasive substances, rough cloths or cloths not specifically designed for cleaning steel. Using abrasive substances or rough cloths will inevitably damage the finish of the steel. The steel surface will be irrevocably damaged if the instructions above are not complied with. Keep these instructions together with the instructions for use of your hood. The manufacturer accepts no liability for any damage caused by no-compliance with the instructions above.

4. CLEANING THE INSIDE OF THE APPLIANCE

The electrical parts or parts of the motor assembly inside the range hood must not be cleaned using liquids or solvents.

B

MOUNTING INSTRUCTIONS

Prior to installing the appliance, plug the power cord into a working electrical outlet and test the various functions of the unit. Ensure that the fan is functional on all speeds and that the lights operate normally before proceeding with installation.

To mount the range hood, follow the below steps.

Step 1

The recommended distance between the range hood and the cooking surface is 26 to 28 inches. (Figure A) Prepare the hood for installation by removing the filters and setting them aside for later.

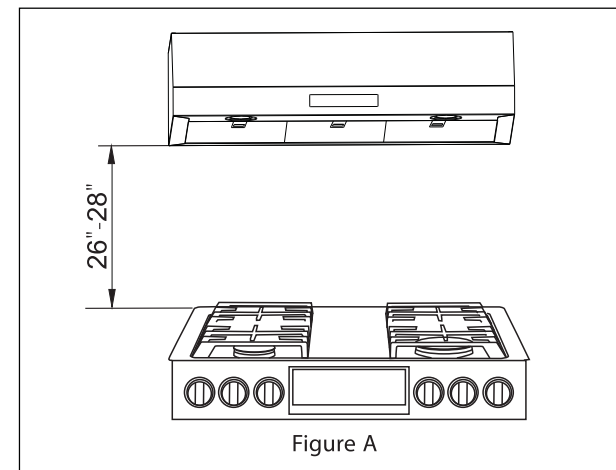


Figure A

Step 2

Cut an electrical access hole in the cabinet (Figure E). If venting the unit through the horizontal knockout **plate or installing ductless, DO NOT cut a vertical duct access hole.** Then, install the 4 corner mounting screws halfway into the cabinet (Figure E). **DO NOT** tighten all the way, and **DO NOT** install the 5th (middle) mounting screw. If the cabinets have recessed bottoms, install wood shims prior to installing the screws.

(Figure E) Underside view of upper cabinets

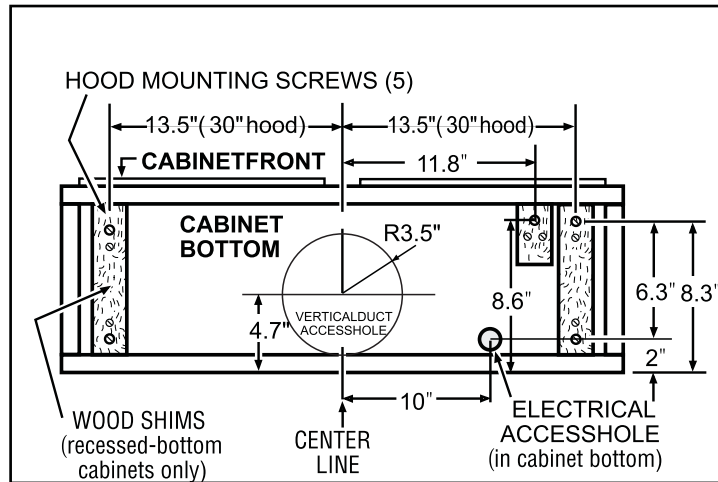


Figure E

Step 3

Lift the hood and tuck the power cable through the electrical access hole. Anchor the cable, but **DO NOT** plug it in. Hang the hood from the 4 halfway-installed mounting screws in the cabinet. Slide the hood back towards the wall until the mounting screw heads are locked in the narrow end of the keyhole slots in the top of the hood. Tighten the screws securely. Then, add the 5th mounting screw in the center hole in the hood and tighten securely.

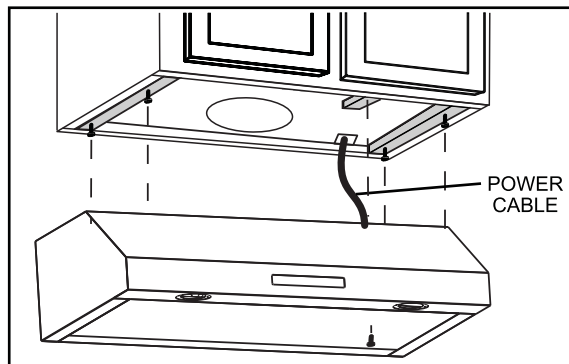


Figure F

Step 4

Ducted installation only. If installing ductless, skip this step.

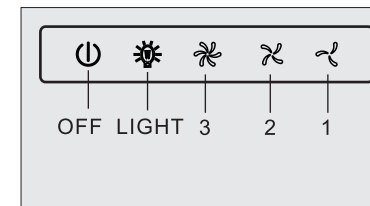
Connect the ductwork to the hood, and secure the seam so that the unit is air tight. Reinstall the damper/duct connector. Check that the ductwork is connected properly to the damper/duct connector, and that the damper can open and close freely.

Step 5

Reinstall the filters, then plug in the unit. It is now ready for use.

C OPERATION

FIVE FINGER TOUCH BUTTON CONTROL PANEL



LIGHT BUTTON

Touch once: the light turns on
Touched again: the light turns off.

MOTOR BUTTON: 1, 2, 3

1: start the motor at minimum speed
2: start the motor at medium speed
3: start the motor at maximum speed

OFF

Touch once: stops the motor after 1-2 minutes and shows a flickering light

Touch twice: stops the motor immediately.